

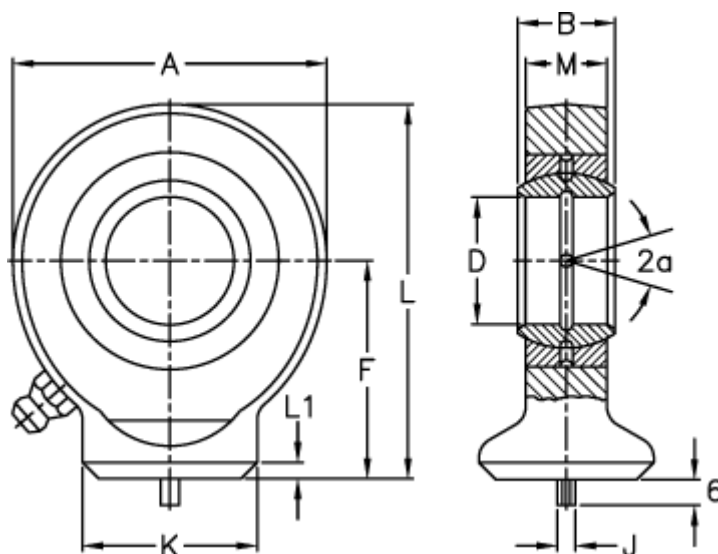
Data Sheet



Article number: 03555015

Description: Fluro hydraulic rod end FS 15C

Measures



| | | | |
|---------------------|------|---------------------|-------|
| A | = 40 | L | = 51 |
| a (degrees) | = 8 | L1 | = 2.5 |
| B | = 12 | M | = 10 |
| D | = 15 | Static load C0 (kN) | = 32 |
| Dynamic load C (kN) | = 17 | Weight | = 120 |
| F | = 31 | | |
| J | = 4 | | |
| K | = 21 | | |